



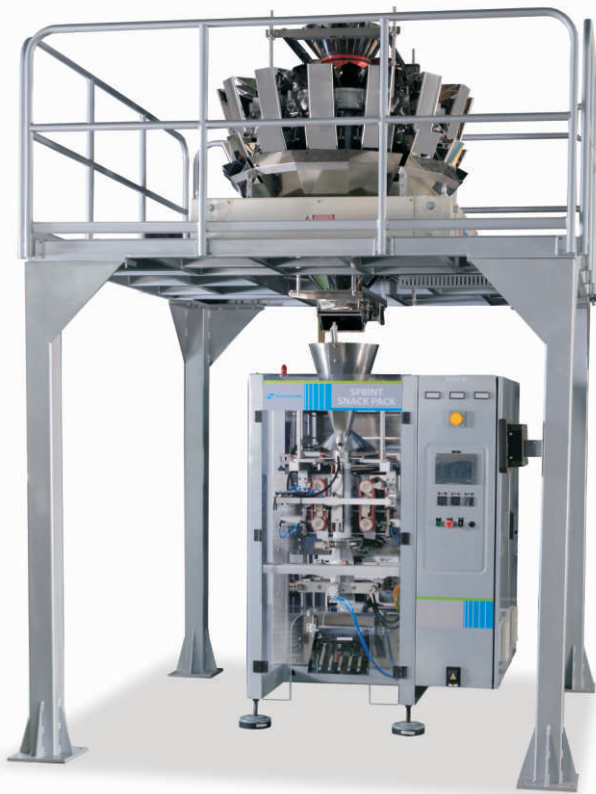
V F F S

NICHROME

SPRINT SNACK PACK

Advanced Solutions for the Snack Market

- High Speed
- Multiple Servo Mechanism
- Accurate



NICHROME
Packaging Solutions

An ISO 9001:2008 and ISO 22000:2005 Certified Company

www.nichrome.com

Salient Features

- Continuous motion high-speed machine designed especially for snack food application
- Reputed CE marked PLC controller with touch screen MMI
- Control of critical operations by 4 axis servo motion
- Mechanism to offer superior bloating effect for the pack
- Optimum product falling height
- Special poker attachment for chips
- Specially designed quick and easy tool-less changeover of size parts
- HACCP & GMP compatible construction
- Perforation mechanism to produce chain of pouches

Filler Option

Multi Head Weigher

Technical Specifications

Rated (Bagger) Output (max. upto)	: 130 packs per min.
Rated System Output (Bagger+Filler)	: Upto 110 packs per min.
Quantity	: Max. upto 5000 cc by volume
Pouch Format	: Centre Sealed Pillow Pouch
Packaging Material	: Heat Sealable Laminate
Min. Pouch Size (WxL) mm (approx.)	: 70 mm x 80 mm
Max. Pouch Size (WxL) mm (approx.)	: 250 mm x 380 mm
Maximum Roll Diameter	: 500 mm
Supply Voltage	: 415 V-AC, 3 Phase, 50 Hz
Connected Electrical Load	: 10 kW
Air Consumption	: 3.5 cubic meter/hour @ 6 bar or 2 CFM
Machine (Bagger) Dimensions mm (W x D x H)	: 1300 mm x 2300 mm x 1800 mm

Pouch Format



Center Seal
Pillow Pouch



Gusset
Pouch D-Cut



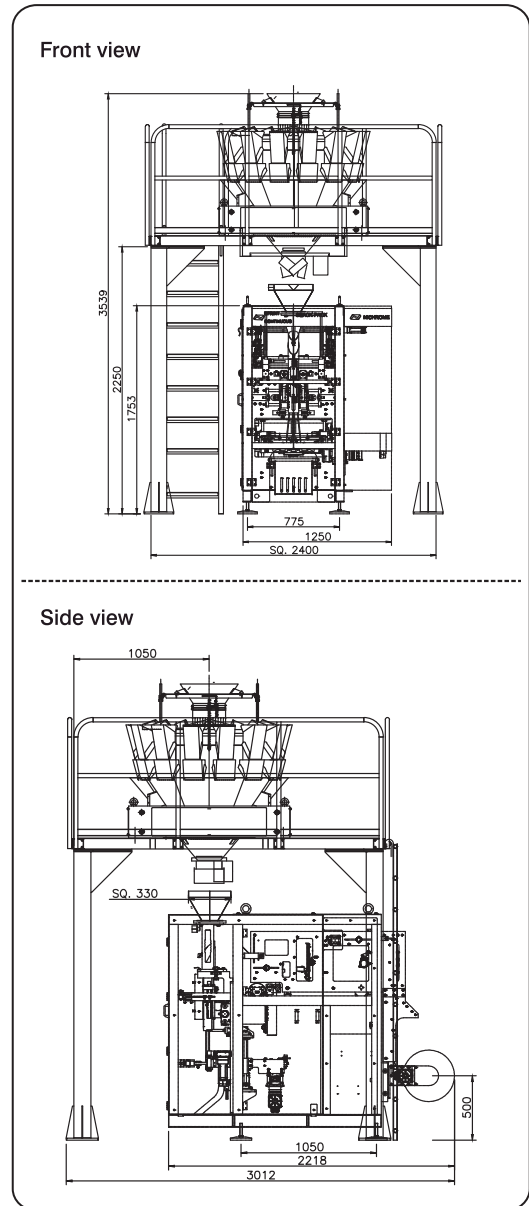
Gusset
Pouch

Applications

Chips, Puffed Snacks, Namkeen, Dry Fruits, Wrapped Candies, Macaroni, Hi-count Biscuits, Pasta, Breakfast Cereals

Optional Accessories/Features

- Pouch take up conveyor
- Material handling system for product feeding
- Nitrogen flushing facility
- Date and batch coding facility
- Poker attachment
- Servo motor driven side gusset mechanism
- Remote data access
- Retail friendly Euro hole facility
- Pack size proportionate seal with jaws
- CE certified solutions



NICHROME
Packaging Solutions

NICHROME INDIA LTD. Safire Park Galleria, 4, Pune-Mumbai Road, Shivajinagar, Pune – 411 005, India

Tel.: +91 - 20 - 6601 1001 Fax: +91 - 20 - 6601 1010 E-mail: marketing@nichrome.com www.nichrome.com

Service Centres & Offices at: Delhi | Kolkata | Mumbai | Bangalore | Hyderabad | Chennai | Ahmedabad | Chandigarh | Kanpur

ASEAN | MIDDLE EAST | SAARC | RUSSIAN FEDERATION & CIS | AFRICA | USA

Packaging Solutions For • Liquids • Grains • Powders • Seeds • Snacks • Pharma • Personal Care